

# CITRINE (AMC 2570)



Two-section examination table with Trendelenburg (head down) tilt.

All electric adjustments of height, backrest and backwards tilt.

Designed to reduce OH&S risks and minimise manual handling.



**5 Year warranty**  
on electrical components



**Lifetime warranty**  
on frame and workmanship



**Australian Made**

## Features

Adjustments of height (hi/lo), backrest and Trendelenburg made with high quality electric actuators, reducing OH&S risks.

Supplied with hand control switch.

Low minimum height gives patients the ability to easily get on and off the couch.

Carefully considered base design allows easy side access for practitioners and patients.

Access under couch for patient lifting devices.

Made with high quality, easy to clean, flame and UV resistant vinyl that reduces the growth of bacteria. Complies with AS 1530.3 standards

125mm lockable wheels allow easy movement of the couch

## Basic specifications

Width: 610mm

Length: 1970mm

Back rest tilt: 75°

Trendelenburg tilt: 12°

Height adjustment: 550mm -1000mm

Lifting capacity: 200kg

Wheels: 125mm lockable castors

## Optional customisations

Foot switch control for hands free operation

Extra width - 710mm

Battery pack

Head cushion

Paper roll holder

Wide variety of fabric colours available

Padded swivel arm rest set, suitable for Phlebotomy

Basic arm rest set

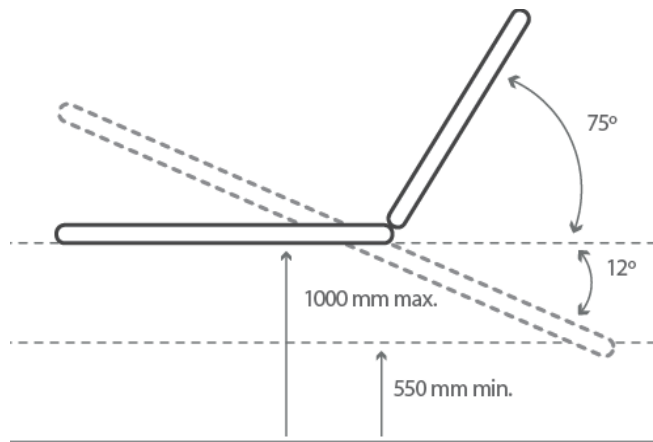
Fold down side rails

Face hole and plug

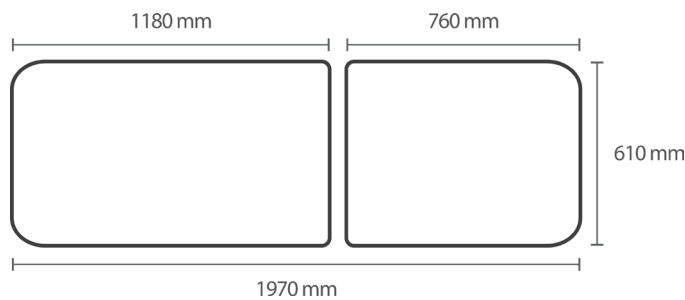
Central wheel locking

# CITRINE (AMC 2570)

## Side view



## Top view



## Optional customisations



Head cushion



Central wheel locking



Fold down side rails



Paper roll holder

## Detailed specifications

Head section length: 760mm

Middle section length: N/A

Foot section length: 1180mm

Vinyl specifications:

UV resistant

Flame resistant

Easy to clean

Reduces growth of bacteria

Complies with AS 1530.3 standards

Variety of colours available

Foam specifications: 50mm foam

Frame material and colour:

Powder coated white frame

Australian steel

Wheel system:

Individual 125mm brake castors made by Tente

Drive actuators:

Hi/lo: Linak electric actuator system

Back rest: Linak electric actuator system

Trendelenburg tilt: Linak electric actuator system

Electrical specifications: 230V 50-60 Hz

Electrical standards: IPX4 rating

Lift capacity: 200kg

Shipping weight: 70 - 85 kg

Shipping dimensions:

2130mm x 820mm x 700mm

Freight charges:

Not included in sale price.

Contact our sales representatives for a quote.

ARTG number: 208309

Suitable for use in:	GENERAL EXAMINATION	RENAL DIALYSIS
	ULTRASOUND	CHEMO / DAY ONCOLOGY
	TREATMENT ROOMS	BLOOD COLLECTION
	GYNAECOLOGY & OBSTETRICS	DAY RECOVERY
	VASCULAR	ICU
	CARDIOLOGY	DAY SURGERY
	DERMATOLOGY	SPECIALIST APPLICATIONS
	ENT	
	PODIATRY	
	COSMETIC SURGERY	